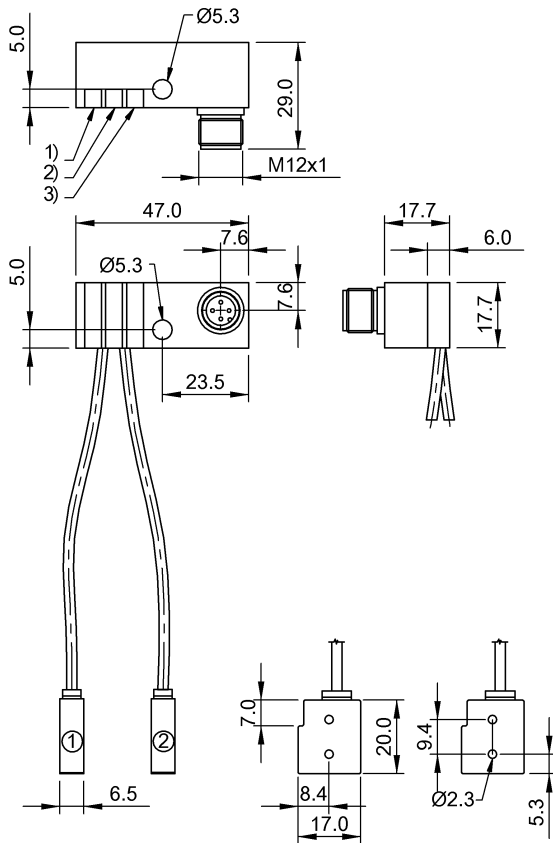


Inductive Sensors  
**BES Z02KR2-PSC20F-P165-S04-V**  
**Order Code: BES03R4**

**BALLUFF**



1) LED Signal 1, 2) LED (Power), 3) LED Signal 2



**Basic features**

Approval/Conformity	CE
	cULus
	WEEE
Basic standard	IEC 60947-5-2

**Display/Operation**

Function indicator	yes
Power indicator	yes

**Electrical connection**

Connection	M12x1-Male, 4-pin, A-coded
Polarity reversal protected	yes
Protection against device mix-ups	yes
Short-circuit protection	yes

**Electrical data**

Operating voltage $U_b$	10...30 VDC
Rated operating current $I_e$	150 mA
Rated operating voltage $U_e$ DC	24 V
Utilization category	DC -13
Voltage drop static max.	2.5 V

**Environmental conditions**

Ambient temperature	-25...70 °C
IP rating	IP67

**Interface**

Switching output	PNP normally open (NO)
------------------	------------------------

**Material**

Housing material	Plastic
Material sensing surface	Plastic

Inductive Sensors  
**BES Z02KR2-PSC20F-P165-S04-V**  
Order Code: **BES03R4**



**Mechanical data**

Dimension	17.7 x 17.7 x 47 mm
Installation	for flush mounting

**Range/Distance**

Assured operating distance Sa	1.6 mm
Hysteresis H max. (% of Sr)	5.0 %
Rated operating distance Sn	2 mm
Real switching distance sr	2 mm
Repeat accuracy max. (% of Sr)	2.0 %

**Remarks**

Chicklet cable length = Pxxx (e.g. P100=100 mm)  
Welding field immunity 1600 Gauss.

**Connector Drawings**



**Wiring Diagrams**

